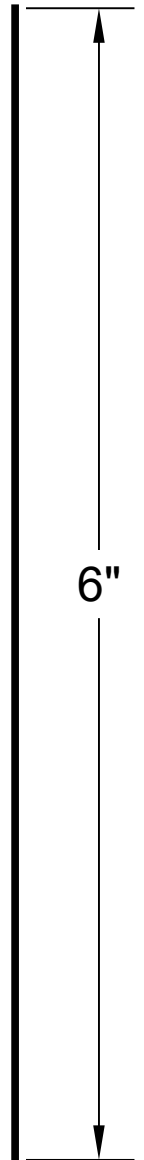
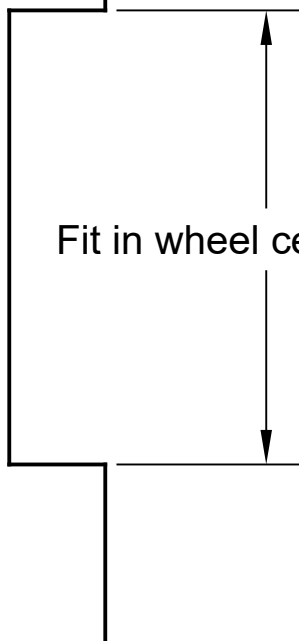


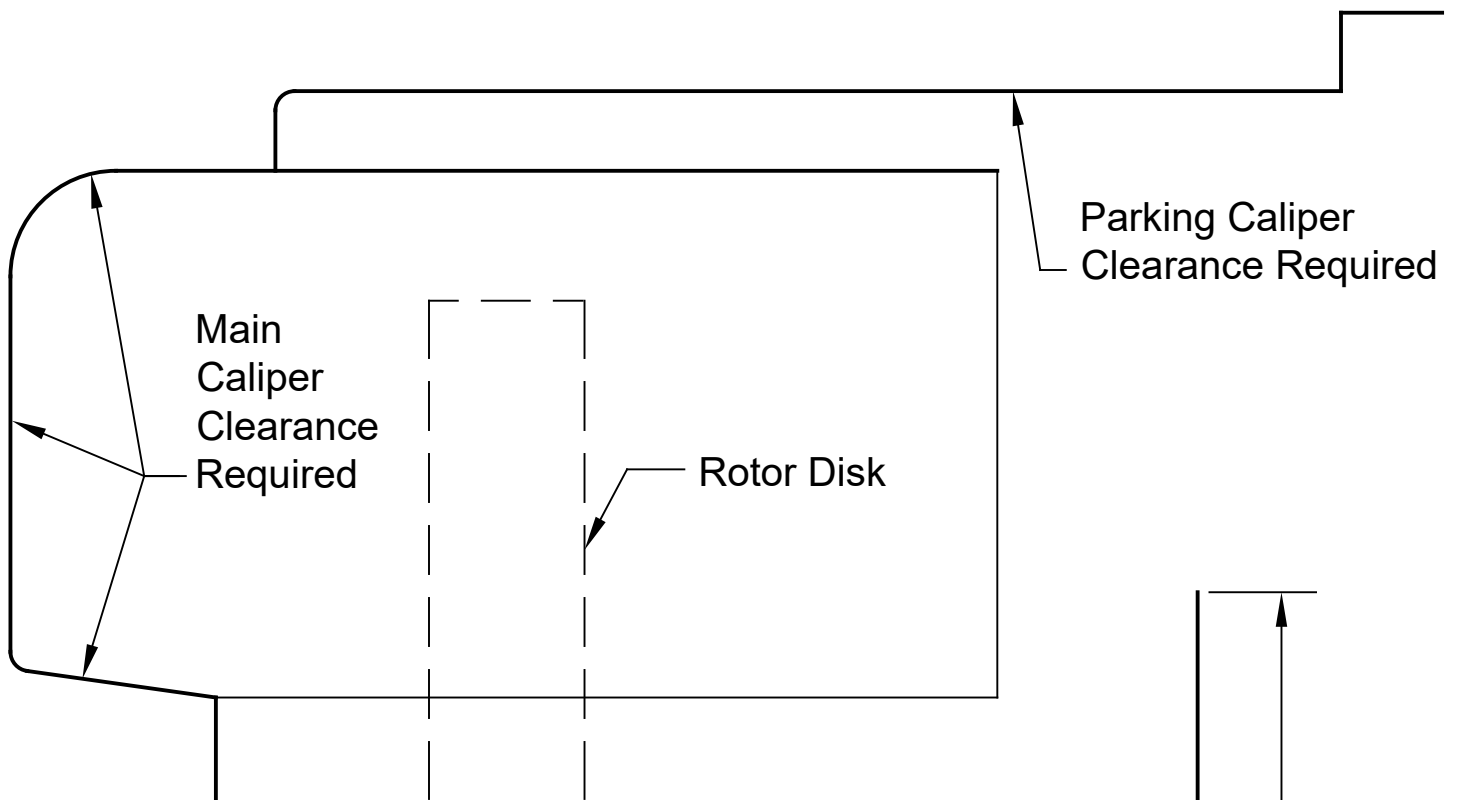
Caliper clearance template for
Wilhelm Raceworks Heavy Duty big
brake kit.

Instructions:

1. Print at 1:1 scale. Measure 6" line at right to confirm scale is correct.
2. Cut out along bold lines
3. Fit wheel center protrusion into wheel center bore (use hubcentric ring if necessary)



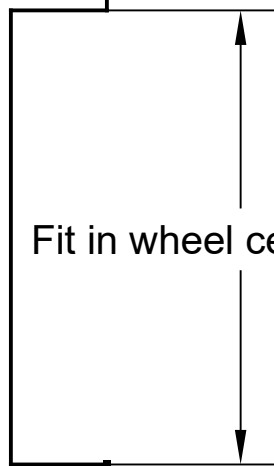
**FRONT BRAKES
FSL CALIPERS**



Caliper clearance template for
Wilhelm Raceworks Heavy Duty big
brake kit.

Instructions:

1. Print at 1:1 scale. Measure 6" line at right to confirm scale is correct.
2. Cut out along bold lines
3. Fit wheel center protrusion into wheel center bore (use hubcentric ring if necessary)



6"

REAR BRAKES FSL CALIPERS